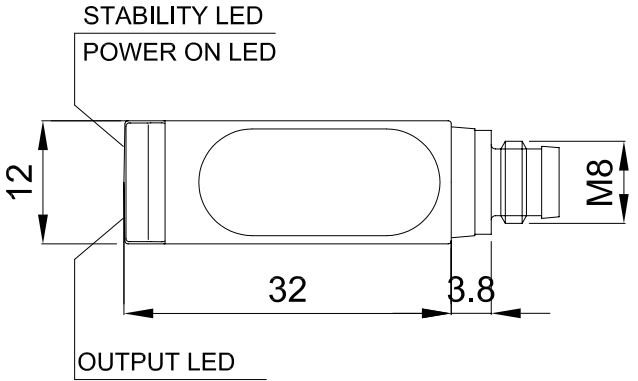
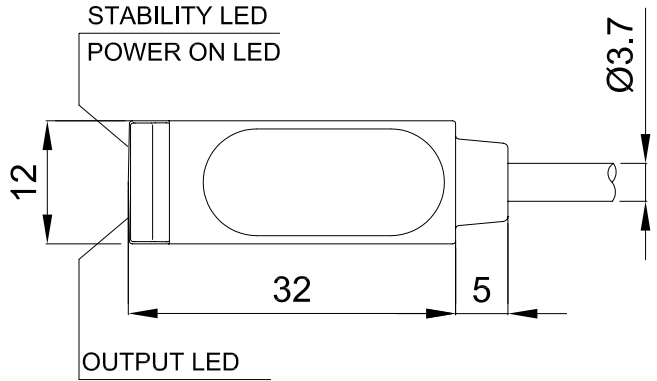
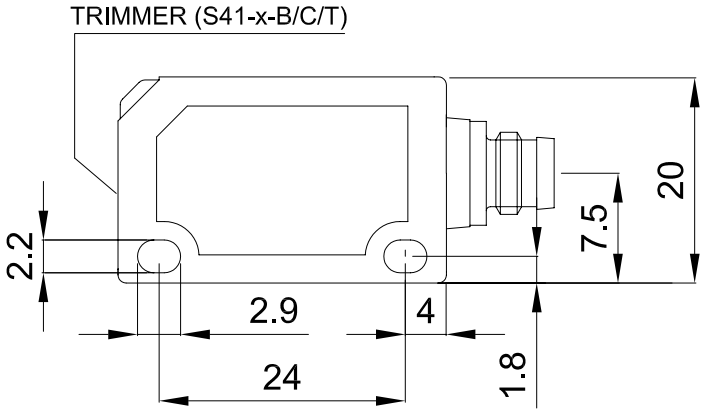
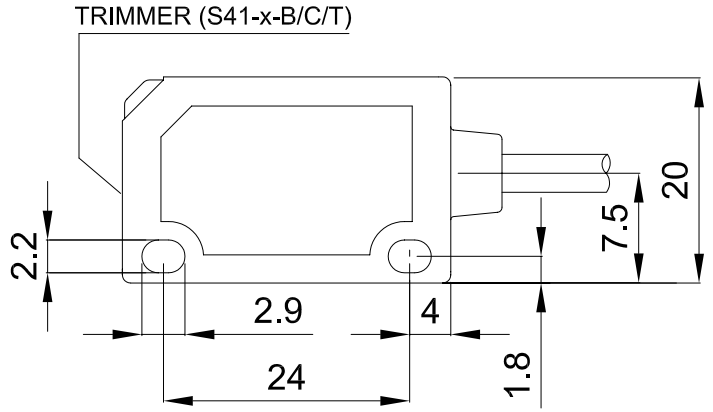


This document, technical information and specification contained herein are proprietary and must not be used, copied, reproduced, or otherwise dealt with nor communicated to others except in accordance with written instructions received from DATASENSOR S.p.A.  
 Questo documento, le informazioni tecniche e le specifiche in esso contenute sono da considerarsi confidenziali e non devono essere utilizzate, copiate, riprodotte o trattate diversamente, ne' comunicate ad altri, se non in seguito ad istruzioni scritte ricevute da DATASENSOR S.p.A.



mm

MOD.	REV.	APPLICATION	DESCRIPTION	DATE	SIGNATURE
DIMENSION WITHOUT TOLERANCE DEGREE:			NOTE		

PRECISION DEGREE	> 0	> 6	> 30	> 120	> 315
	TD 6	TD 30	TD 120	TD 315	TD 999
MEDIUM	±0.1	±0.2	±0.3	±0.5	±0.8
PRECISE	±0.05	±0.1	±0.15	±0.2	±0.3

		DATASENSOR S.p.A. Via Lario,265 40050 Monte S.Piero - Bologna - Italy Tel:+39 051 675611 Fax:+39 051 6756324 http://www.datasensor.com e-mail: info@datasensor.com		PART DESCRIPTION <b>S41 DIMENSIONS</b>	
TREAT.	DATE	APPROV.	MOLD N°	PART N°	REV.
DES.BY				<b>DIM-0566</b>	