



Basic dimensioning tolerance L/D TOL

0.5-6 ± 0.1

>6-30 ± 0.2

>30-120 ± 0.3

>120-400 ± 0.5

>400-1000 ± 0.8

>1000-2000 ± 1.2

>2000-4000 ± 2

Round/Chamfering R/C ± 0.2

0.5-3 ± 0.2

>3-6 ± 0.5

>6 ± 1.0

>0-10 ± f

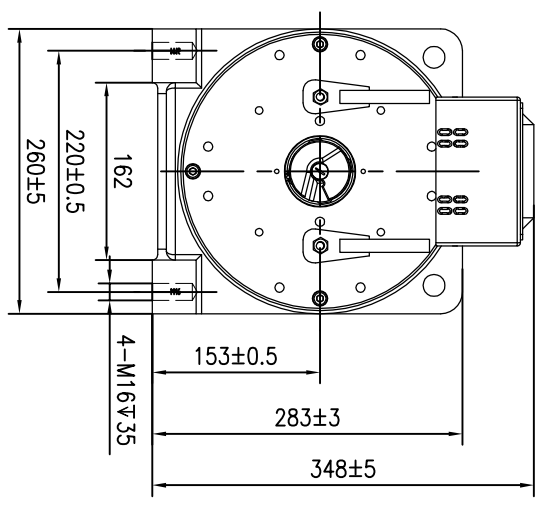
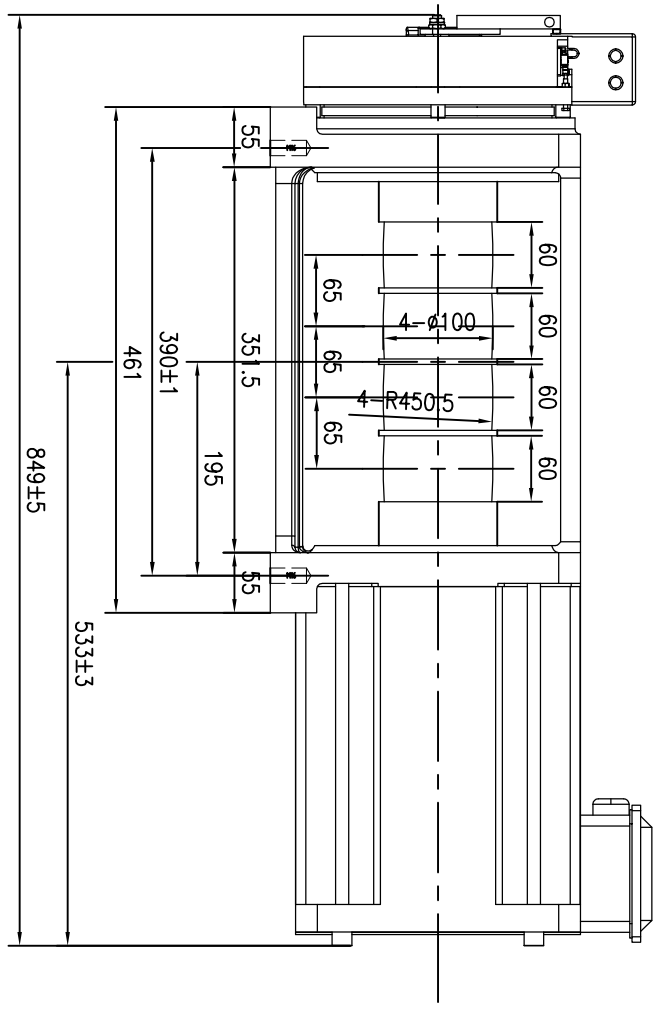
>10-50 ± 0.5f

>50-120 ± 0.3f

>120-400 ± 0.15f

>400 ± 0.1f

NAME: CEG Motor (SUZHOU) Co., LTD.  
 to file and contains data ownership, can only be used in the scope of the company for the purpose: Without written authorization, shall not copy or disclose all information: And must be returned in time related information and copy to CEG Motor (SUZHOU) Co., LTD.



Version No.	Mark	NO.	Person in charge	Date	First drawing date	2026.3.5	Part Name	Outline drawing	Drawing No	A210327025
A0							Model	Material	Scale	1:1
							CSAG-GK100-1275		Total pages	1
								Page	1	Weight
Change the content								CEG Motor (SUZHOU) Co., LTD		