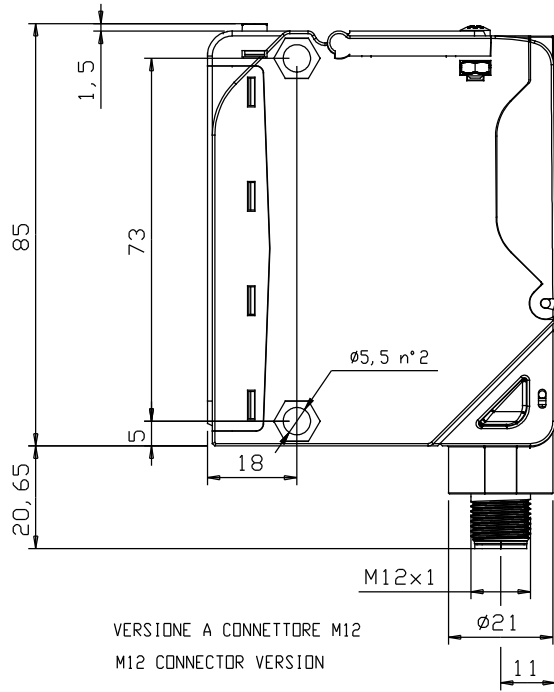


This document, technical information and specification contained here in are proprietary and must not be used, copied, reproduced, or otherwise dealt with nor convoluted to other except in accordance with written instructions received from IMASOR S.p.A.
 Questo documento, le informazioni tecniche e le specifiche in esso contenute sono da considerarsi confidenziali e non devono essere utilizzate, copiate, riprodotte o trattate diversamente, né comunicate ad altri, se non in seguito ad istruzioni scritte ricevute da IMASOR S.p.A.

Ø MAX PLICIT



Ø-RIGHT

LED STABILITY

TRIMMER SELEZIONE
BASE DEI TEMPI

TIMING MODE SELECTION
TRIMMER

TRIMMER ON-DELAY

VITE REGOLAZIONE
Distanza

DISTANCE ADJUSTMENT
SCREW

LED USCITA

OUTPUT LED

TRIMMER LUCE/BUID

LIGHT/DARK LED

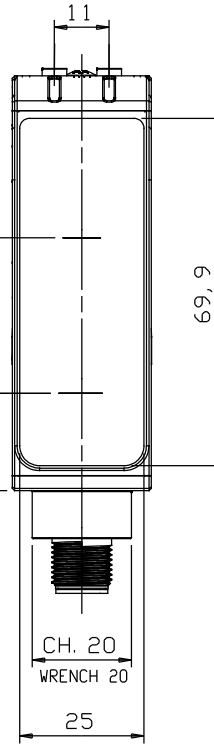
TRIMMER OFF-DELAY

Ø-RIGHT

Ø-FRONT

Ricevitore
Receiver

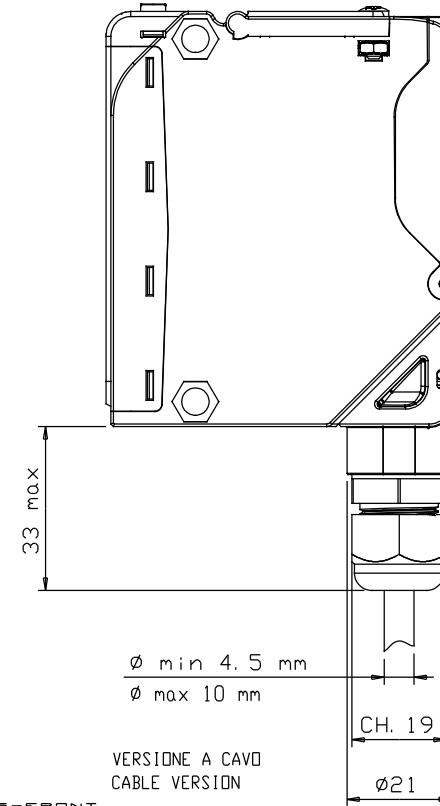
Emittitore
Emitter



Ø min 4.5 mm
Ø max 10 mm

VERSIONE A CAVO
CABLE VERSION

Ø-FRONT



MOD.	REV.	APPLICATION	Eliminated M5x3.5	DATE	17/10/13	SIGNATURE	Aprile	
DIMENSIONS WITHOUT TOLERANCE RANGE:			NOTE:					
PRECISION RANGE	DIMENSIONAL GROUPS						TREAT.	SCALE: 1:1
	> 0	> 6	> 30	> 120	> 315			
	TO 6	TO 30	TO 120	TO 315	TO 999			
MEDIUM	±0.1	±0.2	±0.3	±0.5	±0.8			
PRECISE	±0.05	±0.1	±0.15	±0.2	±0.3			
			DATASENSOR S.p.A. Via Lavino, 265 40050 Monte S. Pietro-Bologna-Italy Tel. +39.051.6765611 Fax +39.051.6759324 http: www. datasensor.com e-mail: info @ datasensor.com		PART DESCRIPTION S300 M01		DES. BY P. Aprile DATE 09/09/09	APPROV. . MOLD N° . PART N° . PART NAME DIM-619
							REV. A	